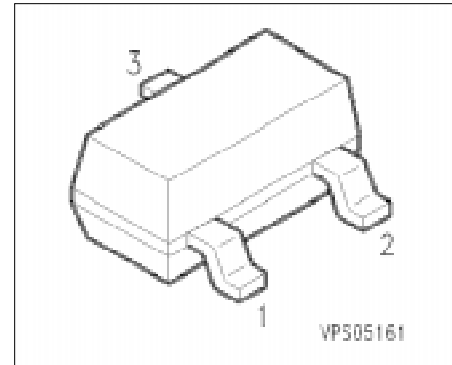


## Silicon Schottky Diode

BAT 17...

- For mixer applications in the VHF/UHF range
- For high-speed switching



Type	Ordering Code (tape and reel)	Pin Configuration			Marking	Package
		1	2	3		
BAT 17	Q62702-A504	A	–	C	53	SOT-23
BAT 17-04	Q62702-A775	A	C	C/A	54	
BAT 17-05	Q62702-A776	A	A	C/C	55	
BAT 17-06	Q62702-A777	C	C	A/A	56	

### Maximum Ratings

Parameter	Symbol	Values	Unit
Reverse voltage	$V_R$	4	V
Forward current	$I_F$	130	mA
Total power dissipation $T_S \leq 60 \text{ }^\circ\text{C}$	$P_{tot}$	150	mW
Junction temperature	$T_j$	150	$^\circ\text{C}$
Operating temperature range	$T_{op}$	– 55 ... + 150	$^\circ\text{C}$
Storage temperature range	$T_{stg}$	– 55 ... + 150	$^\circ\text{C}$

### Thermal Resistance

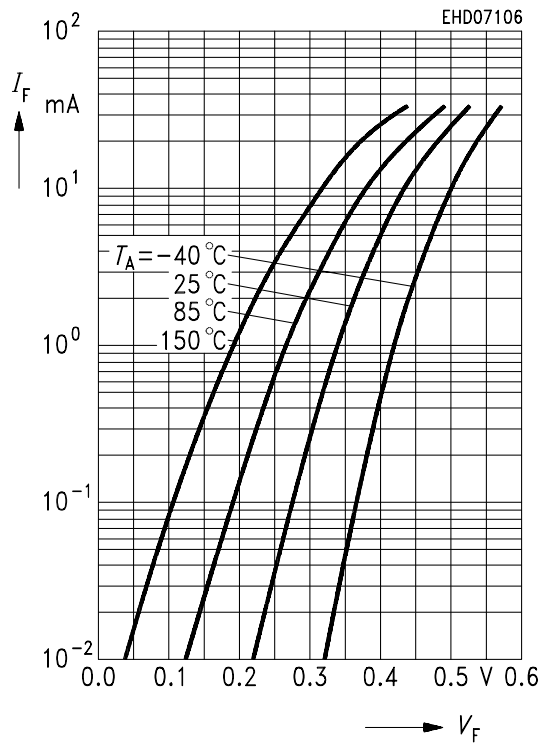
Junction-ambient <sup>1)</sup>	$R_{th JA}$	$\leq 750$	K/W
Junction-soldering point	$R_{th JS}$	$\leq 590$	K/W

1) Package mounted on an epoxy pcb 40 mm x 40 mm x 1.5 mm/1cm<sup>2</sup> Cu.

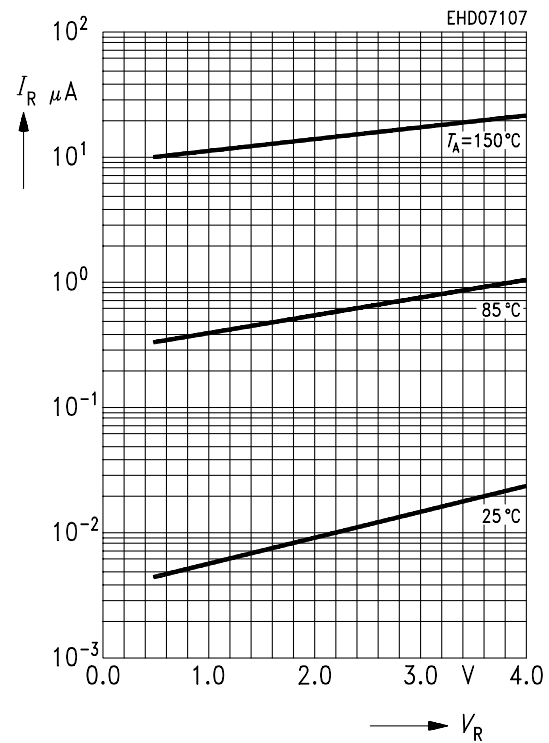
**Electrical Characteristics**at  $T_A = 25\text{ °C}$ , unless otherwise specified.

Parameter	Symbol	Value			Unit
		min.	typ.	max.	
<b>DC Characteristics</b>					
Breakdown voltage $I_R = 10\text{ }\mu\text{A}$	$V_{(BR)}$	4	–	–	V
Reverse current $V_R = 3\text{ V}$ $V_R = 3\text{ V}, T_A = 60\text{ °C}$ $V_R = 4\text{ V}$	$I_R$	–	–	0.25 1.25 10	$\mu\text{A}$
Forward voltage $I_F = 0.1\text{ mA}$ $I_F = 1\text{ mA}$ $I_F = 10\text{ mA}$	$V_F$	200 250 350	275 340 425	350 450 600	mV
Diode capacitance $V_R = 0\text{ V}, f = 1\text{ MHz}$	$C_T$	0.4	0.55	0.75	pF
Differential forward resistance $I_F = 5\text{ mA}, f = 10\text{ kHz}$	$r_S$	–	8	15	$\Omega$

**Forward current  $I_F = f(V_F)$**

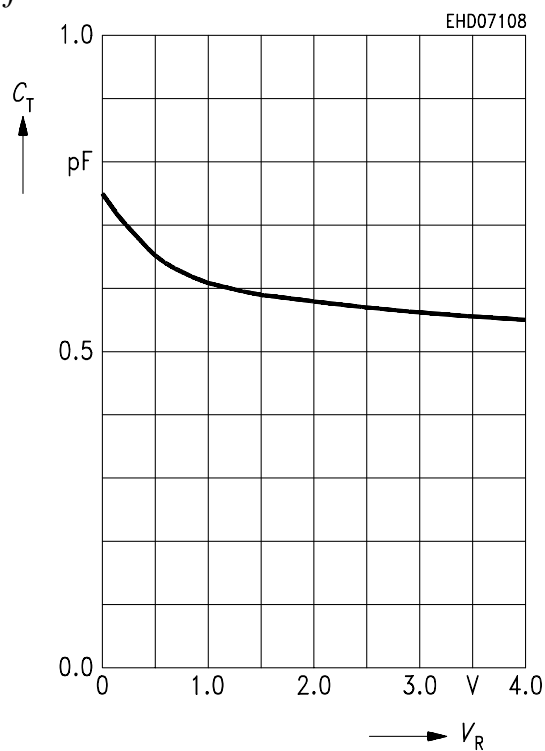


**Reverse current  $I_R = f(V_R)$**



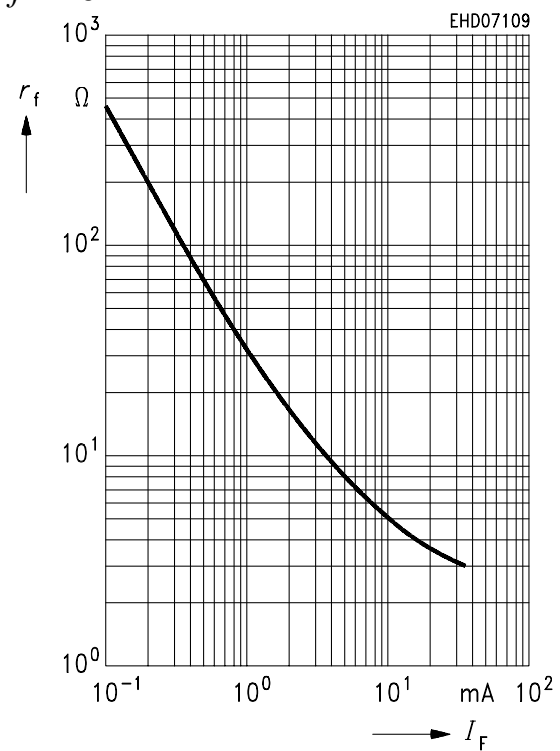
**Diode capacitance  $C_T = f(V_R)$**

$f = 1 \text{ MHz}$



**Differential forward resistance  $R_F = f(I_F)$**

$f = 10 \text{ kHz}$



**Forward current  $I_F = f(T_A; T_S^*)$**

\*Package mounted on aluminum



This datasheet has been download from:

[www.datasheetcatalog.com](http://www.datasheetcatalog.com)

Datasheets for electronics components.