

bipolar switching regulator which requires only a few external parts for normal operation. The power switch, all oscillator and control circuitry, and all current limit com-

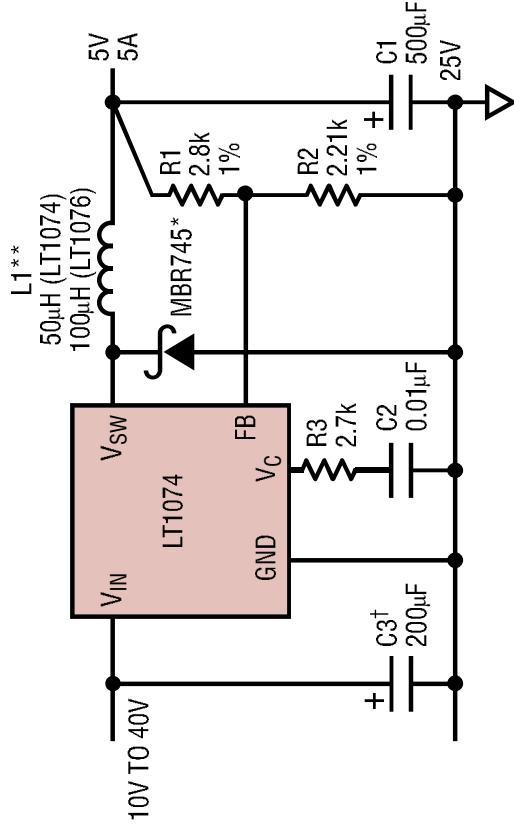
ponents, and the power switch can be programmed. See Application Note 44 for design details.

A fixed 5V output, 2A version is also available. See LT1076-5.

LT, LTC and LT are registered trademarks of Linear Technology Corporation.

TYPICAL APPLICATION

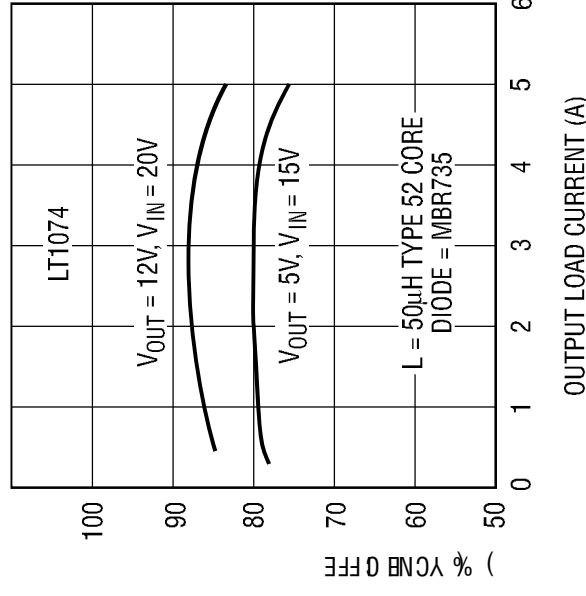
Basic Positive Buck Converter



- * USE MBR340 FOR LT1076
- ** COILTRONICS #50-2-52 (LT1074)
#100-1-52 (LT1076)
PULSE ENGINEERING, INC.
- #PE-92114 (LT1074)
#PE-92102 (LT1076)
HURRICANE #HL-AK147QQ (LT1074)
#HL-AG210LL (LT1076)
- † RIPPLE CURRENT RATING $\geq I_{OUT}/2$

LT1074*TA01

Buck Converter Efficiency



LT1074*TPC27

sn1074 1074fids